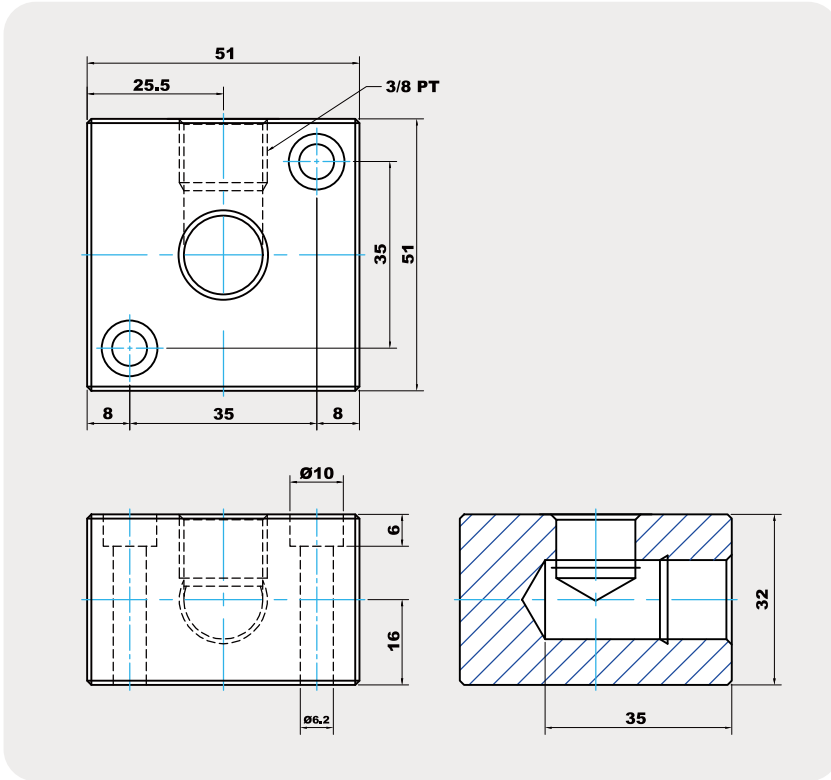




# PD SHUNT BLOCK

**DA-E**<sup>®</sup>  
PNEUMATIC HYDRAULIC

## PD-32



## PD-35

